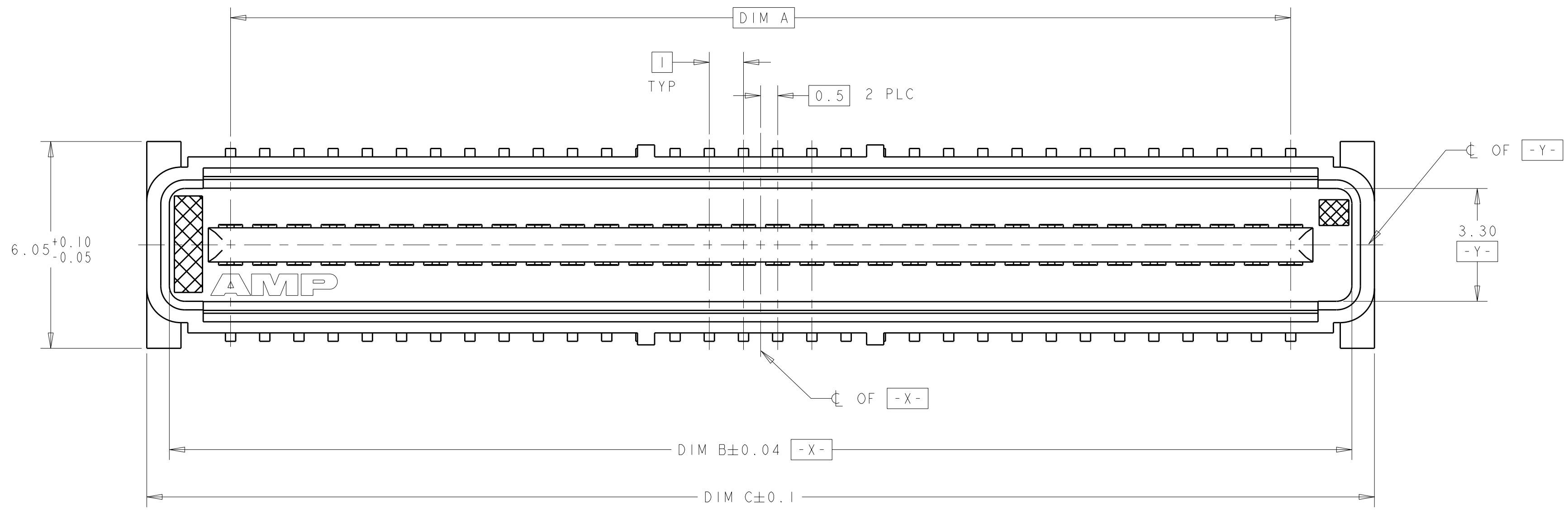
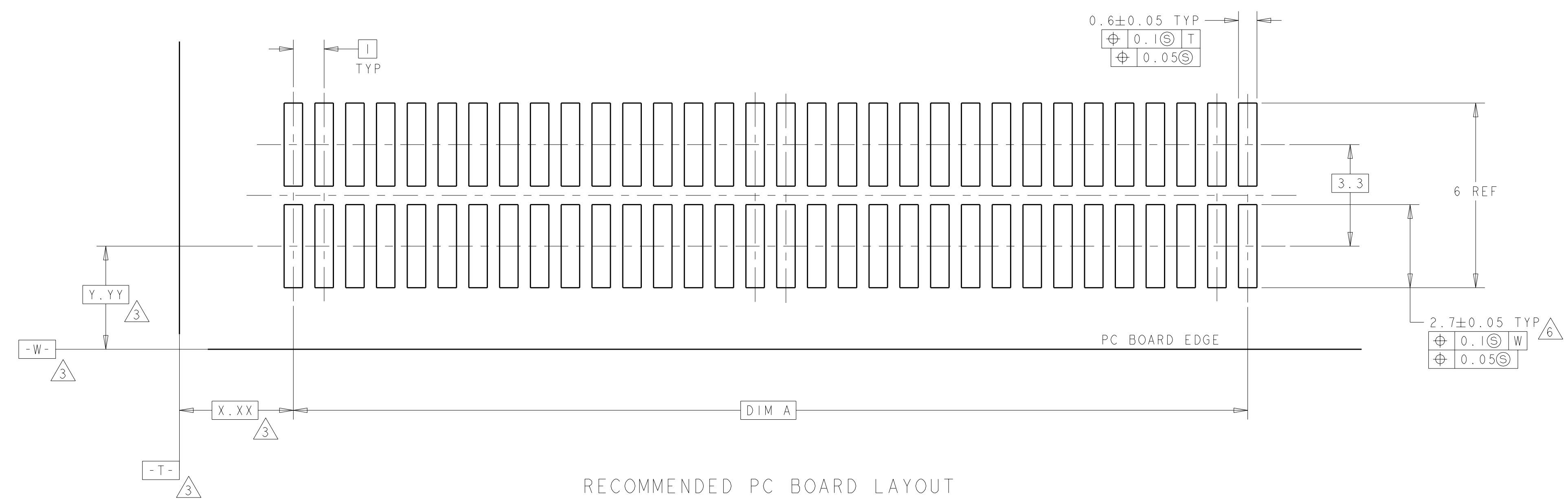
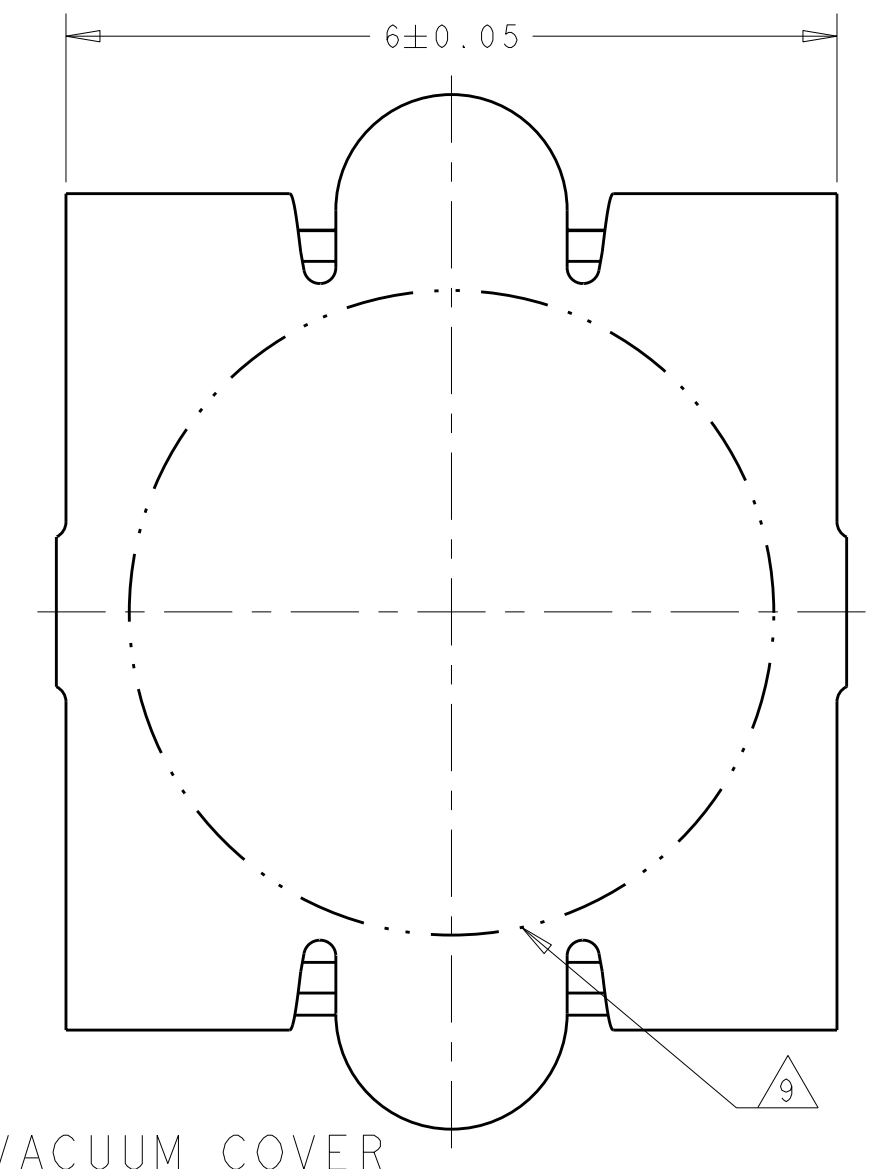
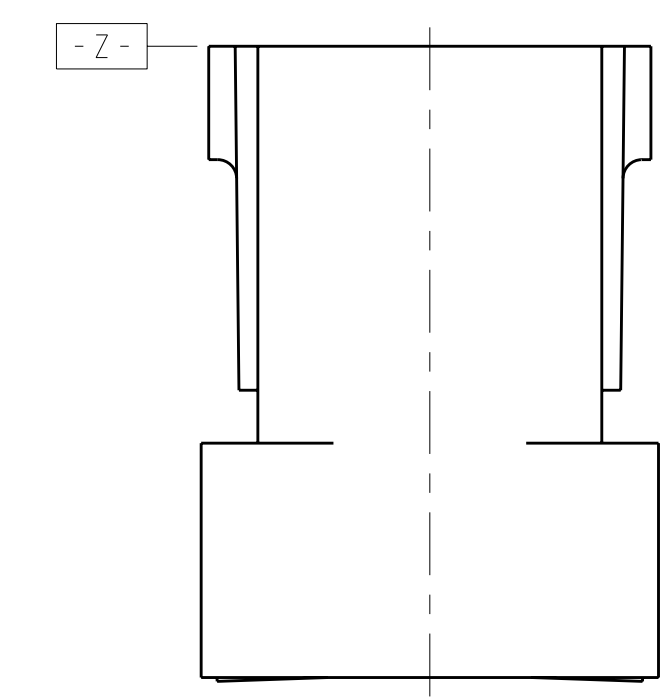
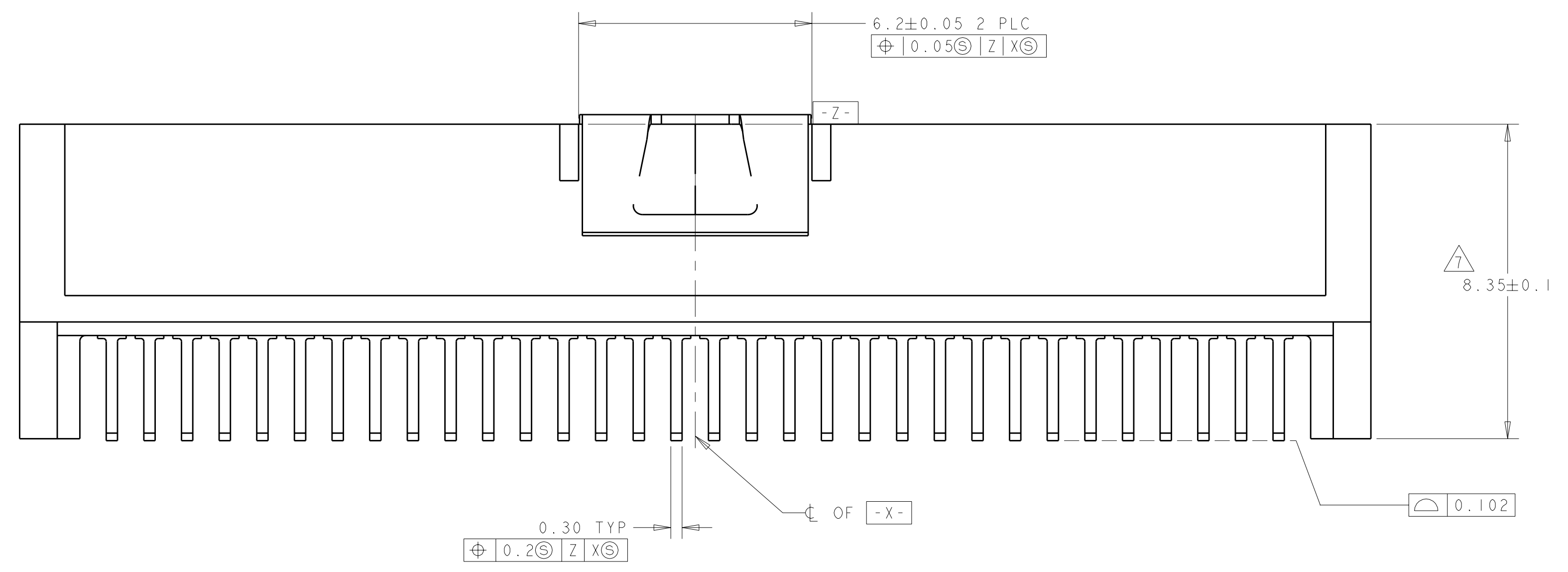


LOC	DIST	REV	DATE	BY	CHK	APPV
AD	00	B1	18MAR2011	RK	HMR	



- 1. HOUSING MATERIAL: LIQUID CRYSTAL POLYMER COLOR: BLACK. CONTACT MATERIAL: PHOSPHOR BRONZE.
- 2. CONTACT FINISH: NICKEL UNDERPLATE ALL OVER, MATING SURFACES PLATED TO MEET PLI PERFORMANCE REQUIREMENTS OF INDUSTRY SPECIFICATION EIA-700AAAB, SOLDER TAILS PLATED TIN.
- 3. DATUM LOCATIONS AND BASIC DIMENSIONS TO BE ESTABLISHED BY THE CUSTOMER. CONSULT AMP ENGINEERING WHEN PLACING MULTIPLE CONNECTORS ON A PC BOARD.
- 4. PACKAGED IN TAPE ON REEL PER EIA-481.
- 5. VACUUM COVER DESIGNED FOR 4mm DIA. NOZZLE. VACUUM COVER TO BE REMOVED AFTER SOLDERING. VACUUM COVER REMOVED FROM SOME VIEWS FOR DIMENSIONAL CLARITY.
- 6. SHORTER SOLDER LANDS MAY BE USED PER EIA 700AAAB, HOWEVER 2.7 LENGTH ASSURES OPTIMUM SOLDER FILLET REGARDLESS OF MANUFACTURER OF CONNECTOR.
- 7. REFERRED TO AS DIM N IN EIA 700AAAB SPECIFICATION.
- 8. CORRUGATED REEL, HOLDS 400 CONNECTORS PER REEL 330.2[13.00] DIA REEL; 88.9[3.50] REEL CORE. PLASTIC REEL, HOLDS 250 CONNECTORS PER REEL 330.2[13.00] DIA REEL; 177.8[7.00] REEL CORE.
- 9. 5.5 MIN DIAMETER TARGET AREA FOR VACUUM PICK-UP.
- 10. CONTACT FINISH: 0.00381 MINIMUM MATTE TIN PER ASTM B 545 ON SOLDER AREA, 0.00127 MINIMUM GOLD PER ASTM B 488 ON MATING AREA, BOTH OVER 0.00127 MINIMUM NICKEL PER SAE-AMS-QQ-N-290 ON ENTIRE CONTACT.



FINISH	REEL QTY	DIM C	DIM B	DIM A	MATING CONNECTOR	STACK HEIGHTS	POS	PART NUMBER
△ 0	△ 8 400	45.9	44.58	41	120531-2	15	84	1-5120534-2
△ 0	△ 8 400	45.9	44.58	41	120530-2	13	84	1-5120534-2
△ 0	△ 8 400	45.9	44.58	41	120529-2	12	84	1-5120534-2
△ 0	△ 8 400	45.9	44.58	41	120528-2	10	84	1-5120534-2
△ 0	△ 8 400	35.9	34.58	31	120531-1	15	64	1-5120534-1
△ 0	△ 8 400	35.9	34.58	31	120530-1	13	64	1-5120534-1
△ 0	△ 8 400	35.9	34.58	31	120529-1	12	64	1-5120534-1
△ 0	△ 8 400	35.9	34.58	31	120528-1	10	64	1-5120534-1
OBSOLETE	△ 2 8 250	35.9	34.58	31	120531-1	15	64	5120534-3
OBSOLETE	△ 2 8 250	35.9	34.58	31	120530-1	13	64	5120534-3
OBSOLETE	△ 2 8 250	35.9	34.58	31	120529-1	12	64	5120534-3
OBSOLETE	△ 2 8 250	35.9	34.58	31	120528-1	10	64	5120534-3
△ 2	△ 8 400	45.9	44.58	41	120531-2	15	84	5120534-2
△ 2	△ 8 400	45.9	44.58	41	120530-2	13	84	5120534-2
△ 2	△ 8 400	45.9	44.58	41	120529-2	12	84	5120534-2
△ 2	△ 8 400	45.9	44.58	41	120528-2	10	84	5120534-2
△ 2	△ 8 400	35.9	34.58	31	120531-1	15	64	5120534-1
△ 2	△ 8 400	35.9	34.58	31	120530-1	13	64	5120534-1
△ 2	△ 8 400	35.9	34.58	31	120529-1	12	64	5120534-1
△ 2	△ 8 400	35.9	34.58	31	120528-1	10	64	5120534-1

THIS DRAWING IS A CONTROLLED DOCUMENT.

AWB CARBO 30SEP04
 R WERTZ 30SEP04
 R WERTZ 30SEP04

TE Connectivity

PLUG ASSY, W/COVER
 1.0mm FH(IEEE1386) CONNECTOR

SIZE: CAGE CODE: DRAWING NO: A100779C=5120534

SCALE: 17:1 SHEET 1 OF 1 REV: B1